



Parts List for Ecoer SDi Extreme 2 Series Heat Pump Units

ESCA17H-36ABA

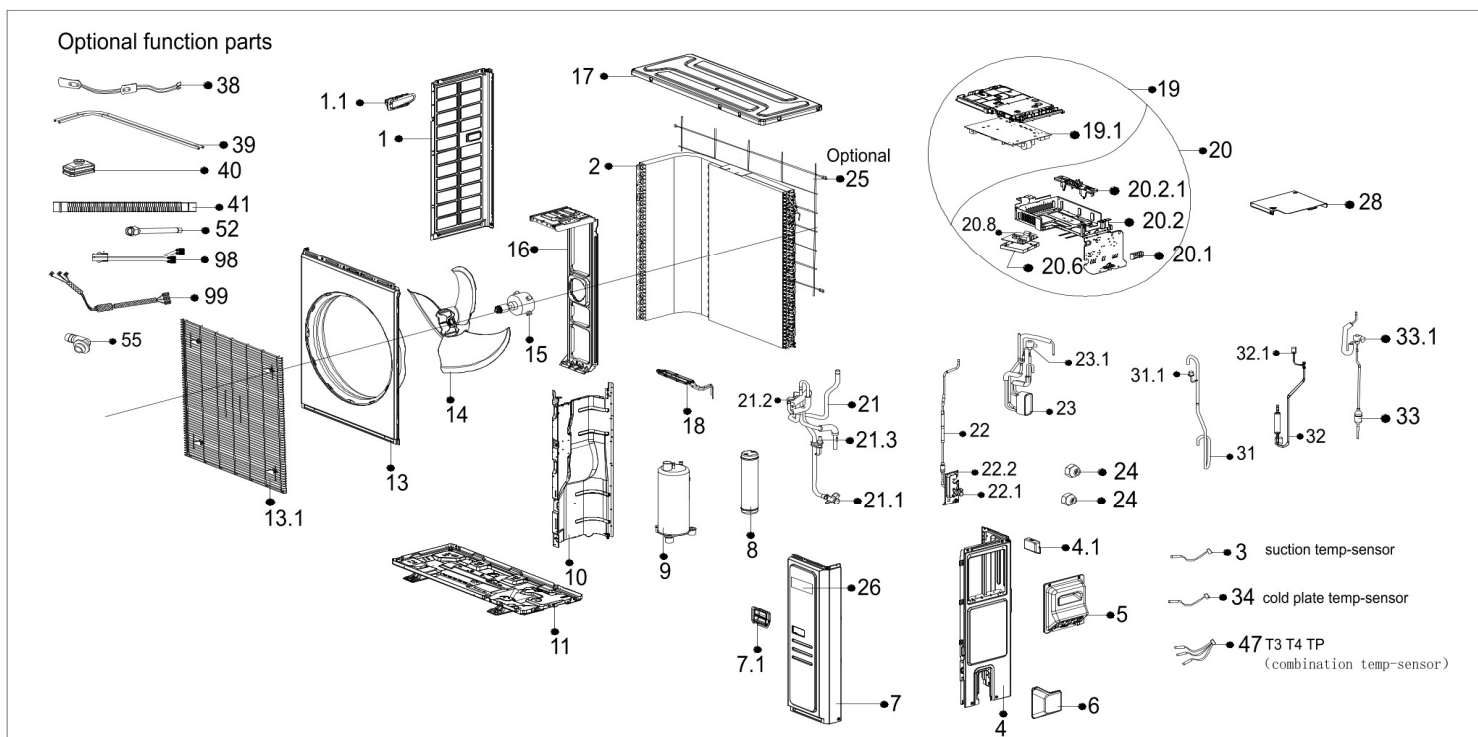
3Ton Heat Pump

ESCA17H-60ABA

5Ton Heat Pump



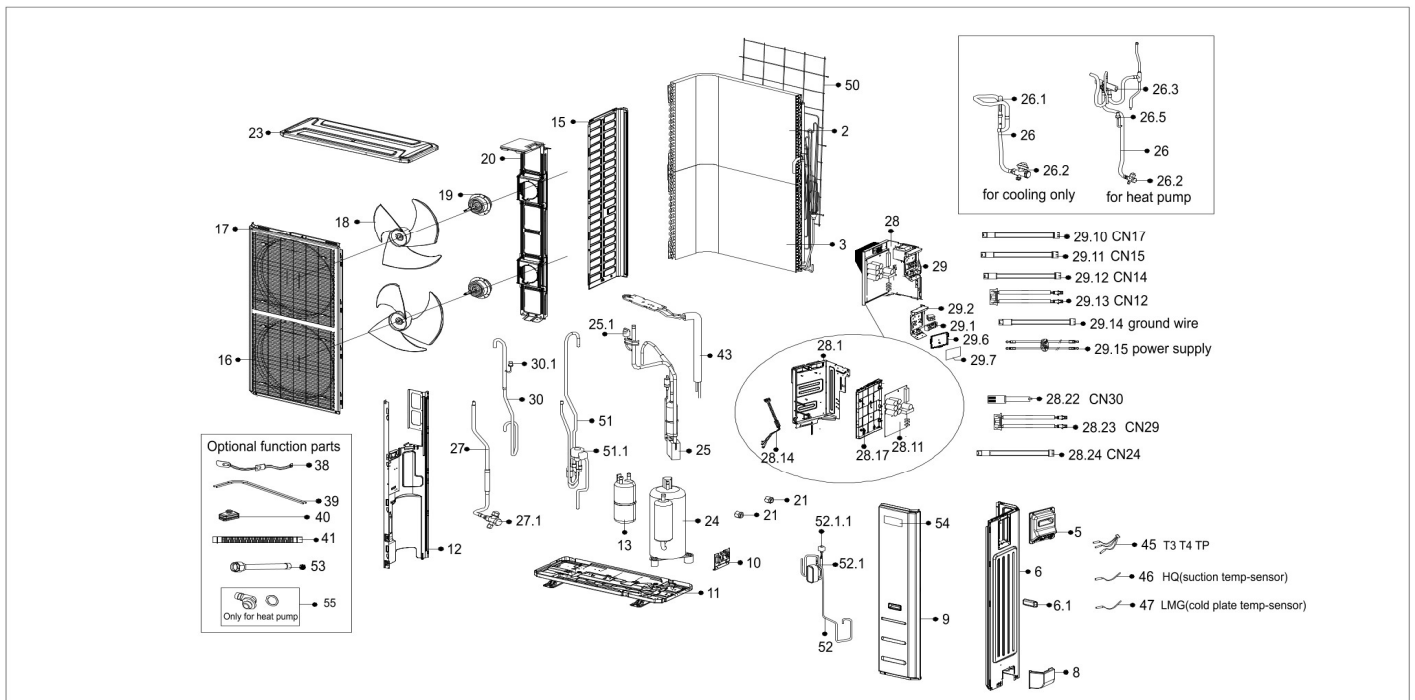
ESCA17H-36ABA



#	Part Name	Quantity	Parts number
1	Left side plate assembly of cabinet	1	12222000018386
1.1	Small handle	1	12100701000033
2	Condenser Assembly	1	15823000007703
3	Pipe Temperature Sensor	1	11201007000124
4	Rear right clapboard assembly	1	122225000002932
4.1	Small handle	1	12100702000170
5	Big handle assembly	1	12222000018396
6	Water Collector	1	12122200002695
7	Front right clapboard assembly	1	12222000018406
7.1	Small handle	1	12100702000170
8	Liquid-storage tank	1	15500508001515
9	DC Inverter Rotary Compressor	1	11103020015083
10	Partition board assembly	1	12222200008215
11	Chassis assembly	1	12222000018397
13	Front panel assembly	1	12222000018392
13.1	Air outlet grille	1	12222000018393
14	Axial flow fan	1	12100105001401
15	Brushless DC Motor	1	11002015018478
16	Supporter subassembly of fan motor	1	12222000018307
17	Top cover assembly	1	12222000018385
18	Radiator subassembly	1	15122000034108

#	Part Name	Quantity	Parts number
19	Electronic Control Box Subassembly	1	17222000048341
19.1	Outdoor Main Control Board Subassembly	1	17122000069508
20	Terminal Board Subassembly	1	17222000048812
20.1	Wire joint	1	17400401006516
20.2	Electronic installing box subassembly	1	12222000019085
20.2.1	U-Typed Support with Copper Pipe	1	12122000033782
20.6	Electronic installing box	1	12122000035062
20.8	Data Conversion Module Subassembly	1	17122000069513
21	4-way valve assembly	1	15422000026837
21.1	Gas Valve	1	15500204000662
21.2	4-way valve	1	15500216002483
21.3	Pressure sensor	1	11201008001132
22	Liquid valve assembly	1	15422000026835
22.1	Gas Valve	1	15500204000665
22.2	Valve Plate	1	12222200000611
23	Plate heat exchanger subassembly	1	15700101001856
23.1	Electronic expansion valve subassembly	1	15422000025600
24	Brass Flare Nut	1	15500406000010
24	Flare Nut	1	15500406000008
25	Rear net	1	12222000017766
26	Trademark	1	16000201001228
28	Cover plate assembly	1	12222000018405
31	Suction pipe assembly	1	15122000033008
31.1	Pressure Controller	1	17400516000848
32	Discharge pipe assembly	1	15122000033006
32.1	Pressure Controller	1	17400516000849
33	Electronic expansion valve subassembly	1	15422000025555
33.1	direct-driven electronic expansion valve	1	11501020000201
34	Pipe Temperature Sensor	1	11201007003447
38	Crankcase electric heating strip	1	17402001001059
39	Heater	1	17402002000466
47	Temperature Sensor	1	11201011001107
52	Evaporator connecting pipe subassembly	1	15123000012948
52	Evaporator connecting pipe subassembly	1	15123000012887
55	Drain connection	1	12122000010071

ESCA17H-60ABA



#	Part Name	Quantity	Parts number
2	Condenser assembly	1	15822000015872
3	Condenser assembly	1	15822000015870
5	Big handle assembly	1	12222000018396
6	Rear right clapboard assembly	1	12222000019916
6.1	Handle	1	12100702000038
8	Water collector	1	12122000014023
9	Front right clapboard assembly	1	12222000020285
10	Valve plate	1	12222200002361
11	Chassis assembly	1	12222000013910
12	Partition board assembly	1	12222000019388
13	Liquid-storage tank	1	15500508001475
15	Left side plate assembly of cabinet	1	12222200002363
16	Air outlet grille	2	12222000014845
17	Front panel	1	12222000007564
18	Axial flow fan	2	12100105001361
19	Brushless DC Motor	2	11002015009825
20	Supporter subassembly of fan motor	1	12222000016092
21	Brass Flare Nut	1	15500406000010
21	Flare Nut	1	15500406000008
23	Top cover assembly	1	12222200008695
24	DC Inverter Rotary Compressor	1	11103020014679
25	Discharge pipe assembly	1	15122000034793

#	Part Name	Quantity	Parts number
25.1	Pressure Controller	1	17400516000851
26	4-way valve assembly	1	15422000026676
26.2	Gas Valve	1	15500204000662
26.3	4-way valve	1	15500216002623
26.5	Pressure sensor	1	11201008001132
27	Liquid valve assembly	1	15422000027315
27.1	Gas Valve	1	15500204000665
28	Electronic Control Box Subassembly	1	17222000048342
28.1	Installation Plate of Electric Parts Subassembly	1	12222000019387
28.11	Outdoor Main Control Board Subassembly	1	17122000069510
28.14	Compressor wire subassembly	1	17401203022090
28.17	Electronic installing box	1	12122000032939
28.22	Protective Switch Shorting Jumper Wiring Harnesses	1	17401204000639
28.23	Weak electric cable	1	17401204020671
28.24	HV Junction Cable subassembly	1	17401203027294
29	Terminal Board Subassembly	1	17222000048346
29.1	Wire joint	1	17400401006516
29.2	Terminal instalation subassembly	1	12222000019625
29.6	Electronic installing box	1	12122000035062
29.7	Data Conversion Module Subassembly	1	17122000069514
29.10	Red line	1	17401105000025
29.11	Blue wire	1	17401109000050
29.12	White wires	1	17401101000015
29.13	Weak electric cable group (rohs)	1	17401204014469
29.14	Ground wire	1	17401108004905
29.15	HV Junction Cable subassembly	1	17401203028547
30	Suction pipe assembly	1	15122000034342
30.1	Pressure Controller	1	17400516000009
38	Crankcase electric heating strip	1	17402001000979
39	Heater	1	17402002000466
43	Radiator subassembly	1	15122000035682
45	Temperature Sensor	1	11201011001207
46	Pipe Temperature Sensor	1	11201007000136
47	Pipe Temperature Sensor	1	11201007003445
50	Rear Net	1	12222000007944
51	Electronic expansion valve subassembly	1	15422000026897
51.1	Electronic Expansion Valve	1	15500213002290
52	Plate heat exchanger subassembly	1	15700101002256
52.1	Electronic expansion valve subassembly	1	15422000022915
52.1.1	Electric expansive valve	1	15500213000865
53	Evaporator connecting pipe subassembly	1	15123000012948
53	Evaporator connecting pipe subassembly	1	15123000012887
54	Trademark	1	16000201001228
55	Accessory Kit	1	12011600A00350

©2026 ECOER INC.

4040 McDermott Road, Suite 200 Plano, Texas 75024

Tel: 703-348-2538

www.ecoer.com