



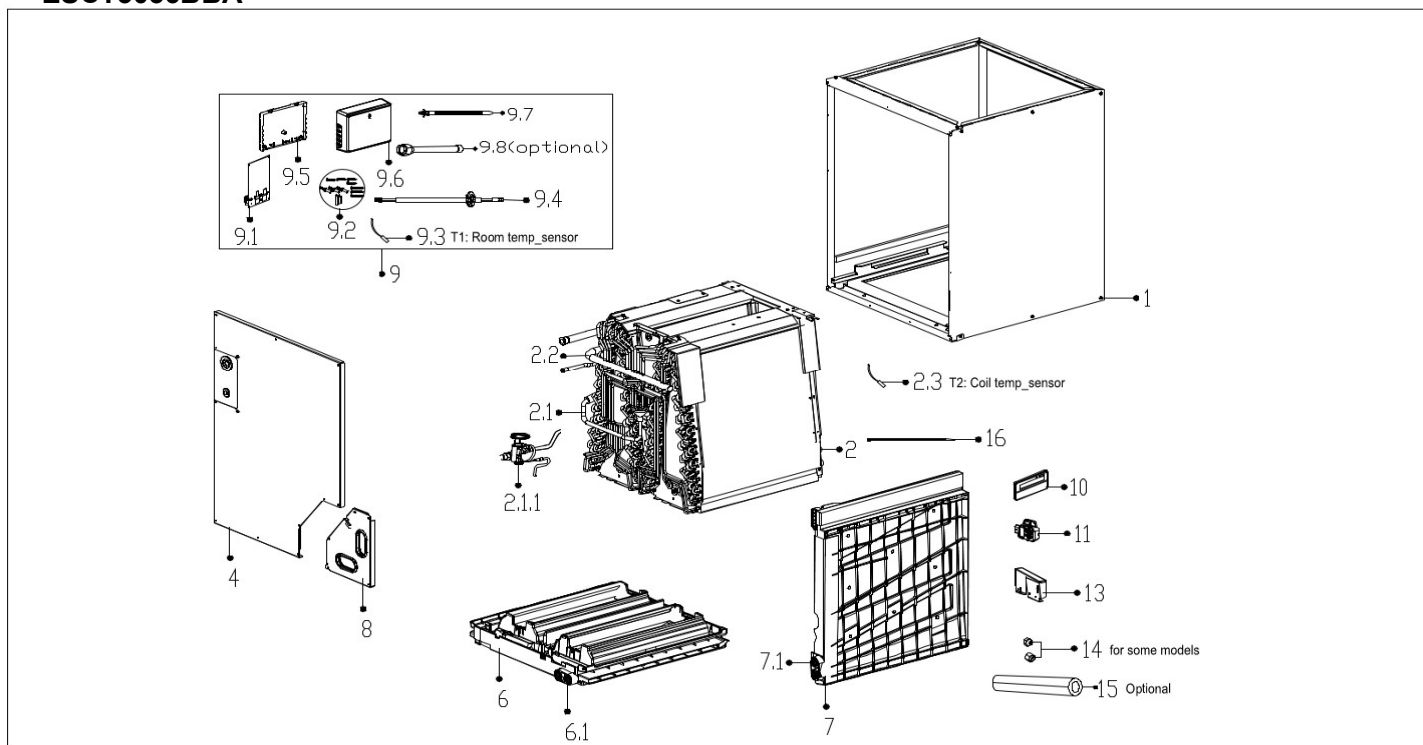
Parts List for Ecoer SDi 2 Series Case Coil

ESCT3036BBA

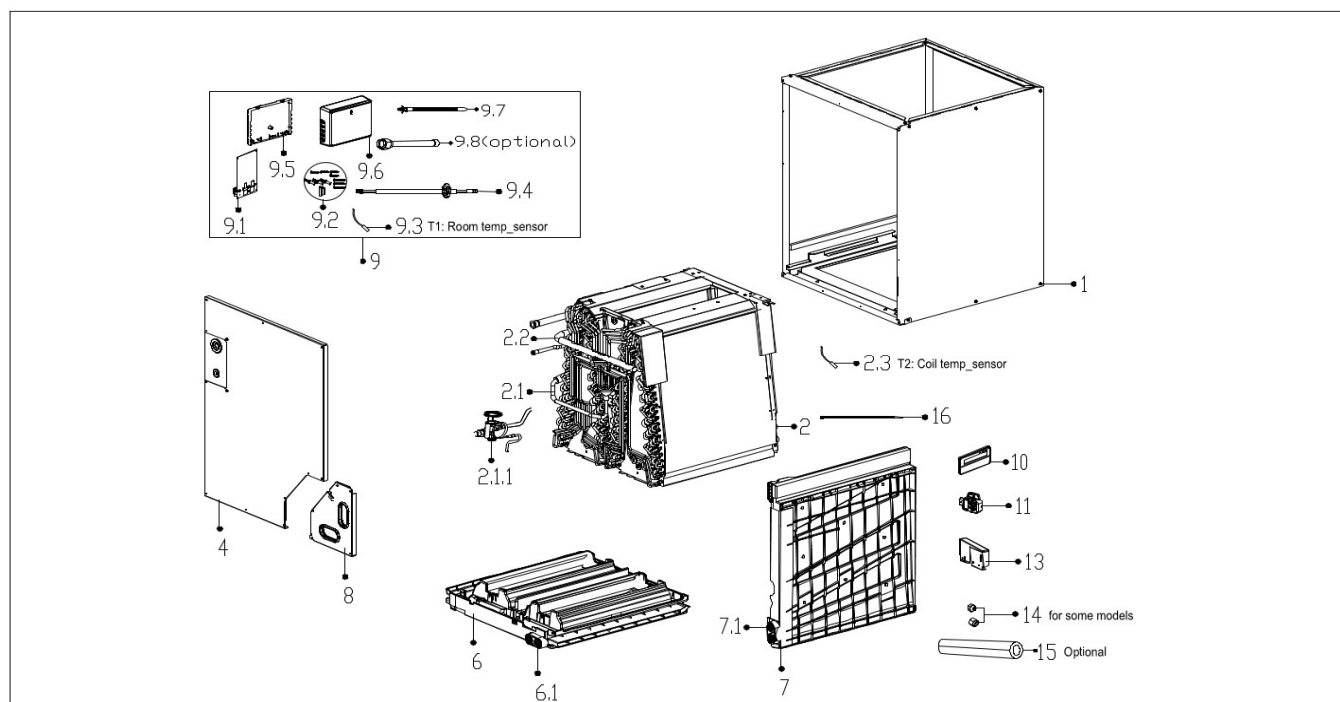
ESCT4860CBA



ESCT3036BBA



#	Part Name	Quantity	Parts number
1	Chassis assembly	1	12223100002193
2	Evaporator assembly	1	15823100001424
2.1	Evaporator inlet pipe subassembly	1	15123100001283
2.1.1	thermostatic expansion valve	1	15500213002849
2.2	Evaporator outlet pipe subassembly	1	15223100000221
2.3	Pipe Temperature Sensor	1	11201007003464
4	Upper Cover Plate assembly	1	12223100002174
6	Bracket for Water collector	2	12223100001471
6.1	Main Water collector assembly	1	12123100000025
7	seal plug	2	12123000002240
7.1	Deputy Water collector assembly	1	12123100000063
8	seal plug	2	12123000002240
9	Clamp for Cover Plate assembly	1	12223100002192
9.1	Duct Electronic Control Box Subassembly	1	17223000013502
9.2	Data Transfer Module Control Board Printed Board Subassembly	1	17122000072181
9.3	Installtion kit subassembly	1	12023100000001
9.4	Room Temperature Sensor	1	11201007003448
9.5	Weak electric cable group (rohs)	1	17401204010126
9.6	wired controller bottom cover	1	12117100006545
9.7	wired controller top cover	1	12117100006544
10	Locating line	1	12100305000001
11	Wired Controller	1	17317100012407
13	Gas sensor	1	11201003000344
16	Belt	1	12100305000005

ESCT4860CBA

#	Part Name	Quantity	Parts number
1	Chassis assembly	1	12223100002312
2	Evaporator Assembly	1	15823100001484
2.1	Evaporator inlet pipe subassembly	1	15123000015567
2.1.1	thermostatic expansion valve	1	15500213002851
2.2	Evaporator outlet pipe subassembly	1	15223100000541
2.3	Pipe Temperature Sensor	1	11201007003464
4	Upper Cover Plate assembly	1	12223100002331
6	Main Water collector assembly	1	12123100000283
6.1	seal plug	2	12123000002240
7	Deputy Water collector assembly	1	12123100000151
7.1	seal plug	2	12123000002240
8	Clamp for Cover Plate assembly	1	12223100002311
9	Duct Electronic Control Box Subassembly	1	17223000013502
9.1	Data Transfer Module Control Board Printed Board Subassembly	1	17122000072181
9.2	Installation kit subassembly	1	12023100000001
9.3	Room Temperature Sensor	1	11201007003448
9.4	Weak electric cable group (rohs)	1	17401204010126
9.5	wired controller bottom cover	1	12117100006545
9.6	wired controller top cover	1	12117100006544
9.7	Locating line	1	12100305000001
10	Wired Controller	1	17317100012407
11	Gas sensor	1	11201003000384
13	Bracket assembly	1	12223100001571
16	Belt	1	12100305000018

©2026 ECOER INC.

4040 McDermott Road, Suite 200 Plano, Texas 75024

Tel: 703-348-2538

www.ecoer.com