



## Parts List for Ecoer SDi 2 Series Air Handler

---

EAHDEC-36ABA

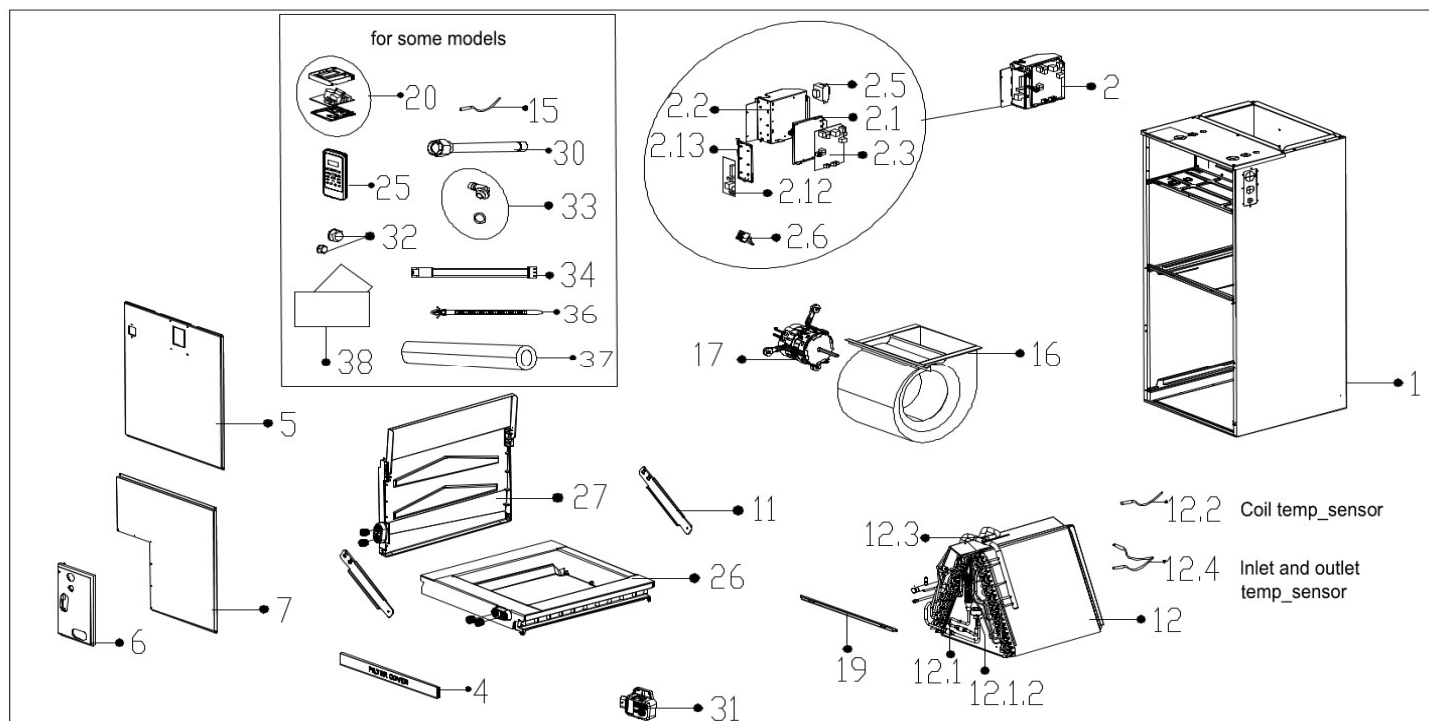
Air Handler

EAHDEC-60ABA

Air Handler



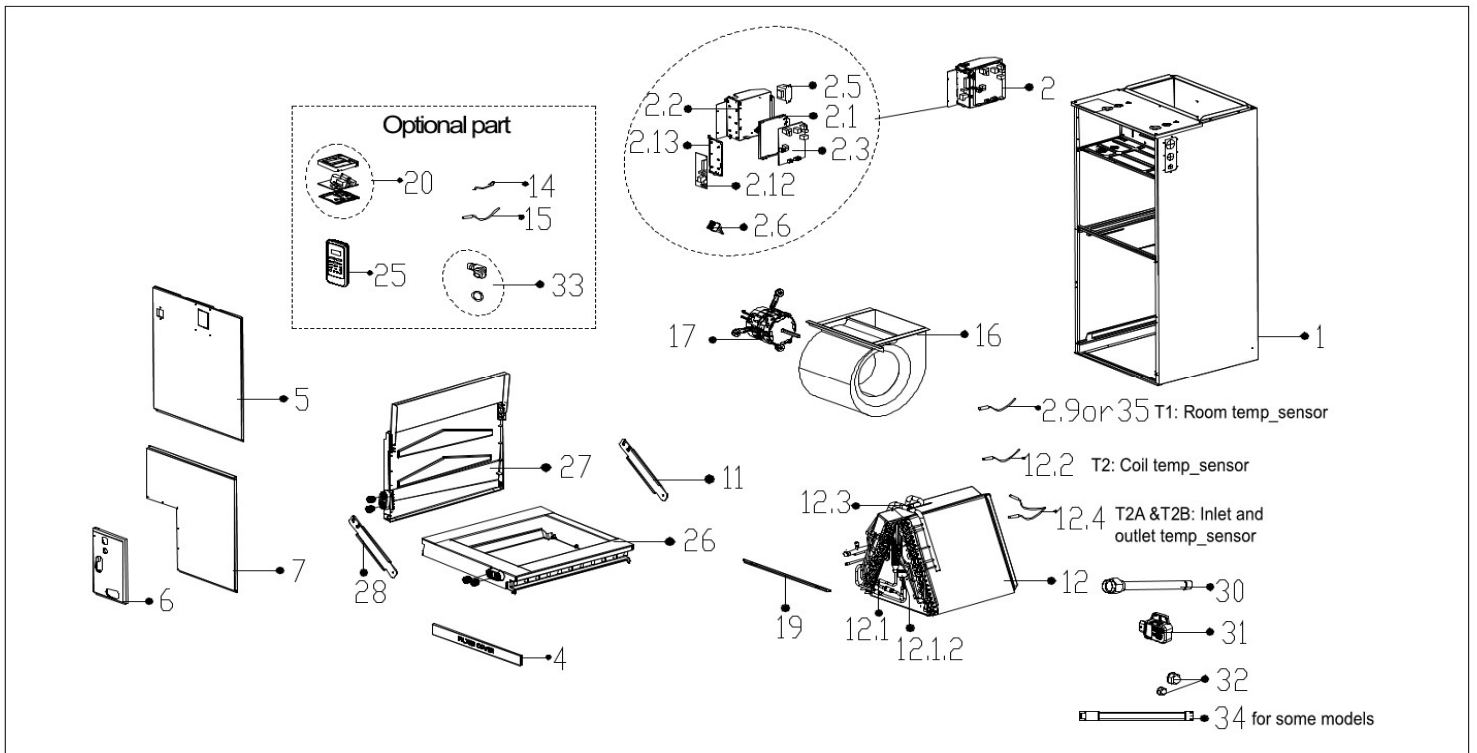
## EAHDEC-36ABA



#	Part Name	Quantity	Parts number
1	Chassis	1	12223100000879
2	Duct Electronic Control Box Subassembly	1	17223000013407
2.1	Installation Plate For Main Board	1	12123000000920
2.2	E-part box Subassembly	1	12223100000876
2.3	Duct Main Control Board Subassembly	1	17123000016260
2.5	Linear Transformer	1	11203103002799
2.6	Wire Joint	1	17400401000085
2.12	Data Transfer Module Control Board Printed Board Subassembly	1	17122000069483
2.13	Installation Plate For Main Board	1	12100801000401
2.14	HV Junction Cable subassembly	1	17401203029798
2.15	Weak electric cable group (rohs)	1	17401204020031
2.16	Ground wire	1	17401108000036
2.16	Ground wire	1	17401108000021
2.17	HV Junction Cable subassembly	1	17401203032141
4	Dust mesh	1	12223100000652
5	Upper Cover Plate assembly	1	12223100000880
6	Clamp for connecting pipe assembly	1	12223100001892
7	Under Cover Plate assembly	1	12223100001891

#	Part Name	Quantity	Parts number
11	Bracket for Water collector	2	12223100001471
12	Evaporator assembly	1	15823100001086
12.1	Evaporator inlet pipe subassembly	1	15123000015267
12.1.2	direct-driven electronic expansion valve	1	11501020000301
12.2	Pipe Temperature Sensor	1	11201007003437
12.3	Evaporator output tube assembly (aluminum tube)	1	15223000000565
12.4	Pipe temperature sensor	1	11201007007823
16	centrifuge fan assembly	1	12200101000253
17	Brushless DC Motor	1	11002015021277
19	Clamp for Cover Plate assembly	1	12223100000657
26	Main Water collector assembly	1	12123100000024
27	Deputy Water collector assembly	1	12123100000063
30	Evaporator connecting pipe subassembly	1	15123000012948
30	Evaporator connecting pipe subassembly	1	15123000012887
31	Gas sensor	1	11201003000384
32	Flare Nut	1	15500406000010
32	Flare Nut	1	15500406000008
34	HV Junction Cable subassembly	1	17401203029799
35	Room Temperature Sensor	1	11201007004864
36	Locating line	2	12100305000001
37	Heat insulation pipe	2	12400101001190
38	sponge	4	12400202000937

# EAHDEC-60ABA



#	Part Name	Quantity	Parts number
1	Chassis assembly	1	12223100000891
2	Duct Electronic Control Box Subassembly	1	17223000013426
2.1	Installation Plate For Main Board	1	12123000000920
2.2	E-part box Subassembly	1	12223100000876
2.3	Duct Main Control Board Subassembly	1	17123000016243
2.5	Linear Transformer	1	11203103002799
2.6	Wire Joint	1	17400401000085
2.12	Data Transfer Module Control Board Printed Board Subassembly	1	17122000069483
2.13	Installation Plate For Main Board	1	12100801000401
2.14	HV Junction Cable subassembly	1	17401203029798
2.15	Weak electric cable group (rohs)	1	17401204020031
2.16	Ground wire	1	17401108000036
2.16	Ground wire	1	17401108000021
2.17	HV Junction Cable subassembly	1	17401203032141
4	Dust mesh	1	12223100000660
5	Upper Cover Plate assembly	1	12223100000871
6	Clamp for connecting pipe assembly	1	12223100001892
7	Under Cover Plate assembly	1	12223100001911
11	Bracket for Water collector	1	12223100001471
12	Evaporator assembly	1	15823100001164

#	Part Name	Quantity	Parts number
12.1	Evaporator inlet pipe subassembly	1	15123100001223
12.1.2	direct-driven electronic expansion valve	1	11501020000361
12.2	Pipe Temperature Sensor	1	11201007003437
12.3	Evaporator outlet pipe subassembly	1	15223100000525
12.4	Pipe temperature sensor	1	11201007007823
16	Fan Assembly	1	12200101000007
17	Brushless DC Motor	1	11002015021292
19	Clamp for Cover Plate assembly	1	12223100000668
26	Main Water collector assembly	1	12123100000027
27	Deputy Water collector assembly	1	12123100000023
28	Bracket for Water collector	1	12223100000632
30	Evaporator connecting pipe subassembly	1	15123000012948
30	Evaporator connecting pipe subassembly	1	15123000012887
31	Gas sensor	1	11201003000384
32	Flare Nut	1	15500406000010
32	Flare Nut	1	15500406000008
34	HV Junction Cable subassembly	1	17401203029799
35	Room Temperature Sensor	1	11201007004864
36	Locating line	3	12100305000001
37	Heat insulation pipe	2	12400101001190
38	sponge	4	12400202000937

©2026 ECOER INC.

4040 McDermott Road, Suite 200 Plano, Texas 75024

Tel: 703-348-2538

www.ecoer.com