



Submittal Form

Project Name:	
Location:	
Engineer:	
Submitted to:	
Submitted by:	
Reference:	

Approval:	
Date:	
Construction:	
Unit #:	
Drawing #:	

MODEL #	
INDOOR:	MEHSU-24CHC2
OUTDOOR:	MCHSU-24PHH2



ELECTRICAL

Power supply	Ph-V-Hz	1-208/230-60
Minimum Circuit Ampacity	A	20
Maximum Fuse Size	A	30

COOLING

Capacity	Btu/h	24000(9600-28800)
Input	W	NA
Rated current	A	NA
EER	Btu/w	11
SEER	Btu/w	20

HEATING

Capacity	Btu/h	24000(9600-28800)
Input	W	NA
Rated current	A	8.3
COP	A	NA
HSPF	W/W	11.5
Low temperature heating capacity (5f)	Btu/h	24000

COMPRESSOR

Model		ATF235D22VMT
Type		ROTARY
Brand		GMCC
Input	W	1970
Rated Current (RLA)	A	14
Refrigerant Oil/Charge	ml	POE VG74/670

SYSTEM DATA

Design pressure	MPa	550/340 PSIG
Refrigerant	oz	R410A/91.7
Refrigerant precharge	ft	25
Additional charge per ft.	oz	0.161
Liquid	mm(in)	9.52(3/8")
Gas	mm(in)	15.9(5/8")
Max. refrigerant pipe length	ft.	164
Max difference in level	ft.	82

INDOOR UNIT DATA

Indoor fan		MEHSU-24CHC2
Model		ZKFP-42-8-1
Brand		WELLING
Input	W	42
RLA	A	2
Speed(Hi/Mi/Lo)	r/min	600/520/450
Indoor air flow (Hi/Mi/Lo)	CFM	878/761/625
Indoor noise level (Hi/Mi/Lo)	dB(A)	52/50/47

INDOOR UNIT DIMENSIONS

Dimension(WxDxH)	inch	33.07X33.07X8.07
Packaging (WxDxH)	inch	35.43X35.43X10.12
Net/Gross weight	lbs.	46.3/52.6

OUTDOOR UNIT DATA

Outdoor fan motor		MCHSU-24PHH2
Model		ZKFN-120-8-2
Brand		WELLING
Input	W	120
RLA	A	0.5
Speed	r/min	810
Outdoor air flow	CFM	2354
Outdoor noise level	dB(A)	61

OUTDOOR UNIT DIMENSIONS

Dimension(WxDxH)	inch	37.2X16.5X31.9
Packaging (WxDxH)	inch	42.91X19.69X34.45
Net/Gross weight	lbs.	141.1/153.2

OPERATION TEMPERATURE

Indoor(cooling/ heating)	Deg. F	62-90/32-86
Outdoor(cooling/heating)	Deg. F	-22-122/-22-86

ACCESSORIES

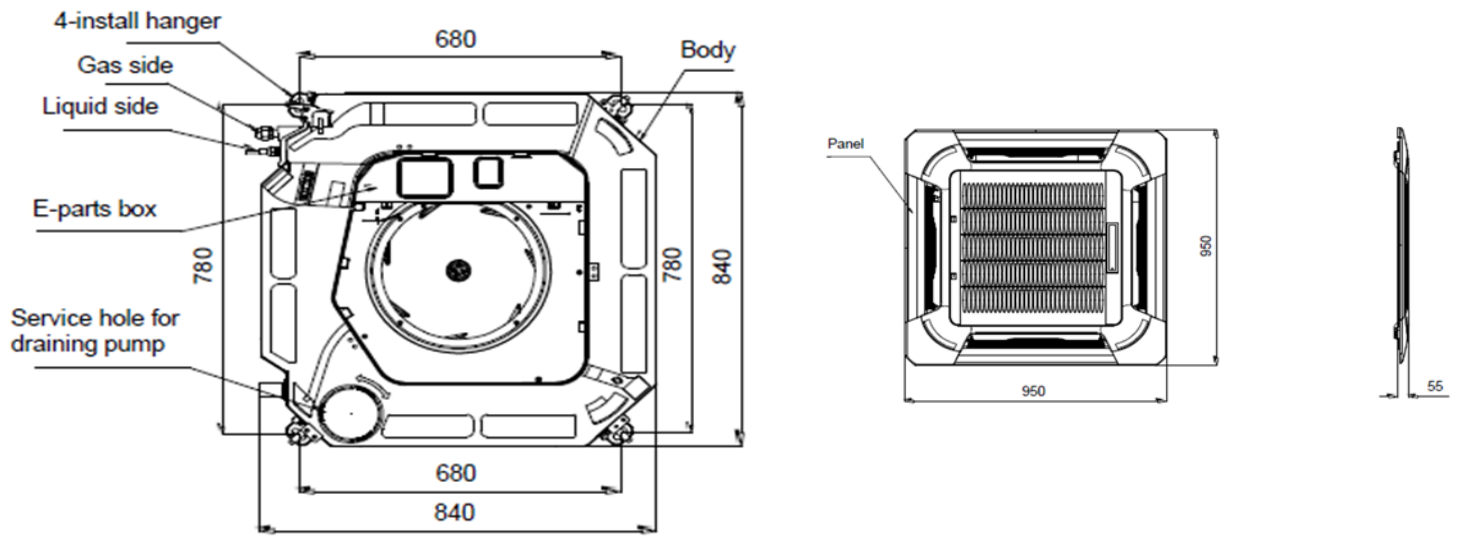
Wired Control	Model#	120G2
Installation Kit	Model#	Installation Kit 3
Piping Kit	Model#	PJX-3

Midea America Corp.

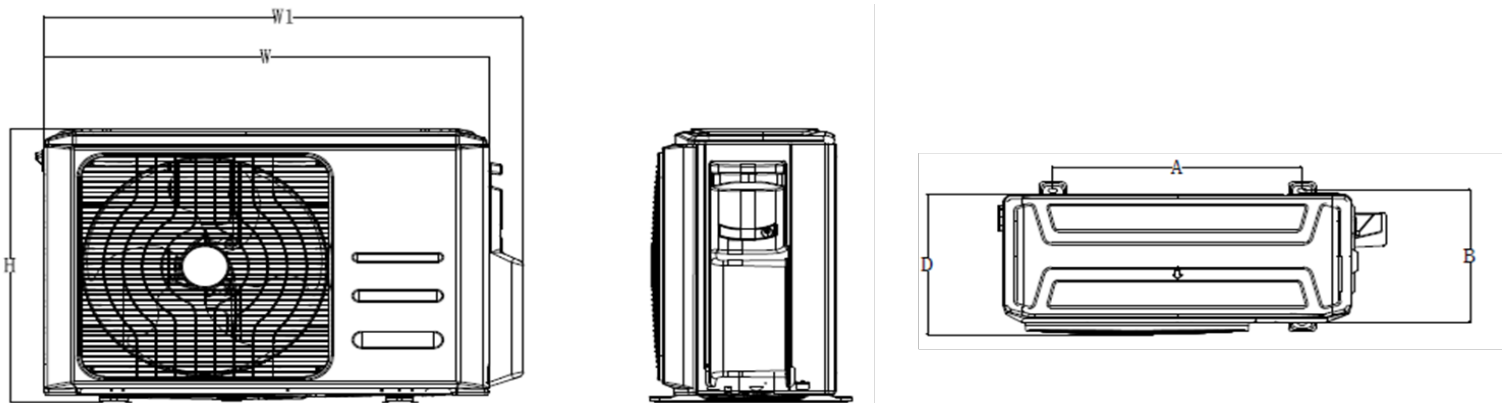
5 Sylvan Way, Parsippany, NJ 07054

P: (973) 539-5330 - F: (973) 539-5336

www.midea.com/us



Dimensions	Width	Depth	Height
Inches	33 1/8	33 1/8	8 1/16



Dimensions	Width	Width 1	Depth	Height	A	B
Inches	37 1/4	40 5/8	16 1/2	31 7/8	26 1/2	15 7/8

Midea America Corp.

5 Sylvan Way, Parsippany, NJ 07054
 P: (973) 539-5330 - F: (973) 539-5336
www.midea.com/us