



Submittal Data Sheet

Project Name:		Approval:	
Location:		Date:	
Engineer:		Construction:	
Submitted to:		Unit #:	
Submitted by:		Drawing #:	
Reference:			

Code	2T0032500608
Factory model	US1-KFR35GW/BP2N1Y-11D1(N10)-W
Indoor code	220032506770
Indoor unit factory model	US1-KFR35G/BP2N1Y-11D1(N10)-W
Outdoor code	220037505410
Outdoor unit factory model	US1-KFR35W/BP2N1-110(N10)-W
Model	MEHS-12NiH2
Indoor	MEHS-12NiH2
Outdoor	MCHS-12NiH2



PERFORMANCE DATA

Power supply	Ph-V-Hz	208-230V~ 60Hz, 1Ph
Cooling		
Capacity	Btu/h	12000
Input	W	1320
Rated current	A	5.9
EER	Btu/w	9
SEER	Btu/w	15
Heating		
Capacity	Btu/h	12000
Input	W	1220
Rated current	A	5.5
COP	W/W	3
HSPF4		8.2
HSPF5		/
Low temperature heating capacity (2°C)	Btu/h	8114
Low temperature heating capacity (-7°C)	Btu/h	6884
MINIMUM CIRCUIT AMPACITY	A	10.0
MAX.FUSE	A	15.0
Moisture Removal	L/h	1.2

Compressor Electrical

Model		DA108X1C-23EZ
Type		ROTARY
Brand		GMCC
Capacity	Btu/h	11021
Input	W	855
Rated current(RLA)	A	4.95
Locked rotor Amp(LRA)	A	----
Thermal protector		----
Thermal protector position		----
Refrigerant oil/oil charge	ml	ESTER OIL VG74 480ml
Connection wiring		16AWG*4
Plug type		/
Thermostat type		Remote Control

SYSTEM DATA

Design pressure	MPa	550/340 PSIG
Refrigerant type	oz	R410A/32.1
Refrigerant precharge	ft	25

INDOOR UNIT DATA

Indoor fan motor		
Model		RPG20B
Brand		Welling
Input		43
RLA	A	0.2
LRA	A	0.23
Winding Resistance	Ω	381/267
Capacitor	uF	1.5
Speed(Hi/Mi/Lo)	r/min	1200 / 1050 / 800
Air flow & Noise level		
Indoor air flow (Hi/Mi/Lo)	CFM	350/310/240
Indoor noise level (Hi/Mi/Lo)	dB(A)	39/35/31
Indoor unit		
Dimension(W*D*H)	inch	30.31x7.40x10.04
Packing (W*D*H)	inch	32.87x10.43x12.99
Net/Gross weight	lbs.	16.53/20.94

OUTDOOR UNIT DATA

Outdoor fan motor		
Model		YDK24-6GB
Brand		Welling
Input		75/66
RLA	A	0.3
LRA	A	0.41
Winding Resistance	Ω	293/169
Capacitor	uF	2.5
Speed	r/min	940 / -- / 835
Air flow & Noise level		
Outdoor air flow	CFM	1120
Outdoor noise level	dB(A)	57

Outdoor unit

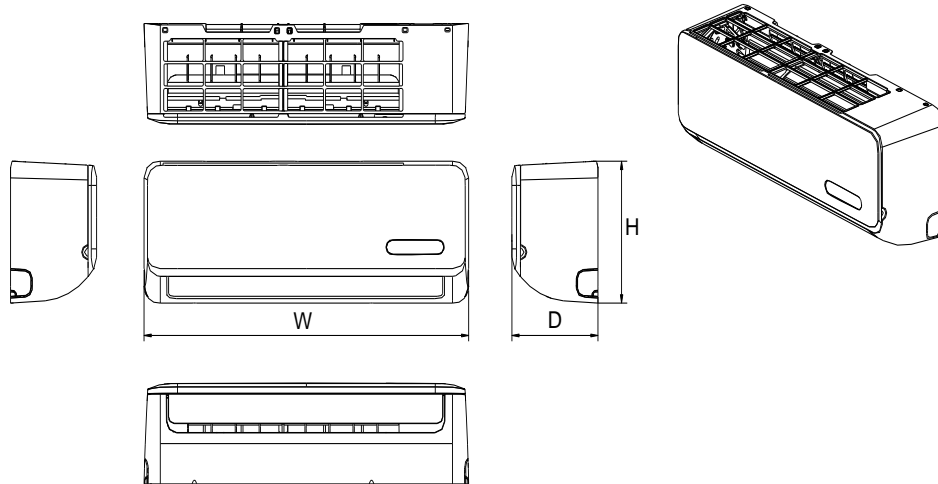
Dimension(W*D*H)	inch	30.71x9.84x21.26
Packing (W*D*H)	inch	35.83x13.19x23.03
Net/Gross weight	lbs.	66.14/70.55

Operation temperature

Indoor(cooling/ heating)	Deg. F	62~90/32~86
Outdoor(cooling/heating)	Deg. F	32~122/5~86
Outdoor(cooling/heating)-optional	Deg. F	5~122/5~86

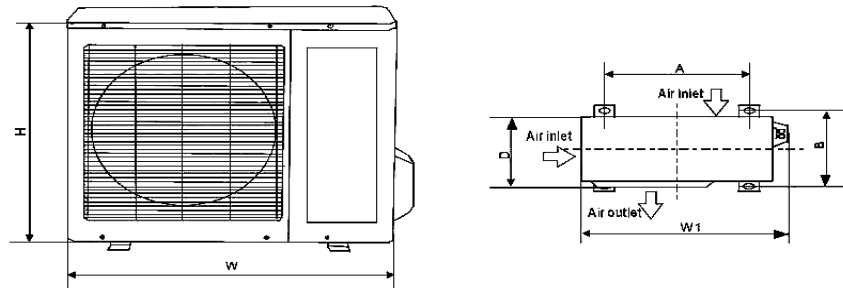
Additional charge per ft.	oz	0.161
Liquid side/ Gas side	mm(in)	Φ6.35/Φ9.52(1/4"/3/8")
Max. refrigerant pipe length	ft	82
Max. difference in level	ft.	33
Application area	sq.ft	189-315

INDOOR UNIT



Model	W (inch)	H (inch)	D (inch)
MEHS-12NiH2	30.31	7.40	10.04

OUTDOOR UNIT



Model	W (inch)	H (inch)	D (inch)	W1 (inch)	A (inch)	B (inch)
MCHS-12NiH2	30.71	9.84	21.26	33.19	21.61	10.87