



# Submittal Data Sheet

<b>Project Name:</b>	
<b>Location:</b>	
<b>Engineer:</b>	
<b>Submitted to:</b>	
<b>Submitted by:</b>	
<b>Reference:</b>	

<b>Approval:</b>	
<b>Date:</b>	
<b>Construction:</b>	
<b>Unit #:</b>	
<b>Drawing #:</b>	

Indoor code	220044000210
Outdoor code	220037506240
Indoor model	MUBU-12HRFN1-M
Outdoor model	MOC-12HFN1-MS0W



## PERFORMANCE DATA

<b>Power supply</b>	Ph-V-Hz	208-230~1-60
<b>Cooling</b>		
Capacity	Btu/h	12000
Input	W	1200
Rated current	A	5.38
EER	Btu/W	10
SEER		19
<b>Heating</b>		
Capacity	Btu/h	12400
Input	W	1100
Rated current	A	4.93
HSPF4		9.1
HSPF5		7.2
MINIMUM CIRCUIT CURRENT	A	1.3
MAX.FUSE	A	15
Moisture Removal	L/h	1.2
Starting current	A	----
Rated current(RLA)	A	5.8
Locked rotor Amp(LRA)	A	----
Thermal protector		----
Thermal protector position		EXTERNAL
Capacitor	uF	----
Refrigerant oil	ml	ESTER OIL VG74 / 480
<b>Connection wiring</b>		
		AWG 14:4
Thermostat type		Remote Control or Wire controller
<b>Operation temperature</b>		
Indoor(cooling/ heating)	Deg. F	62~90/32~86
Outdoor(cooling/heating)	Deg. F	5~122/5~76

## INDOOR UNIT DATA

<b>Indoor fan motor</b>		
RLA	A	1.0
LRA	A	----
Winding Resistance	Ω	----
Capacitor	uF	----
Speed(Hi/Mi/Lo)	r/min	1000/800/700
Sound dBa (Hi/Mi/Lo)		38/34/30
Static Pressure(MAX.)	Pa	----
<b>Indoor unit</b>		
Dimension(W*D*H)	inch	38.98x25.98x7.99
Packing (W*D*H)	inch	42.91x29.33x11.69
Net/Gross weight	lbs.	48.5/61.73

## OUTDOOR UNIT DATA

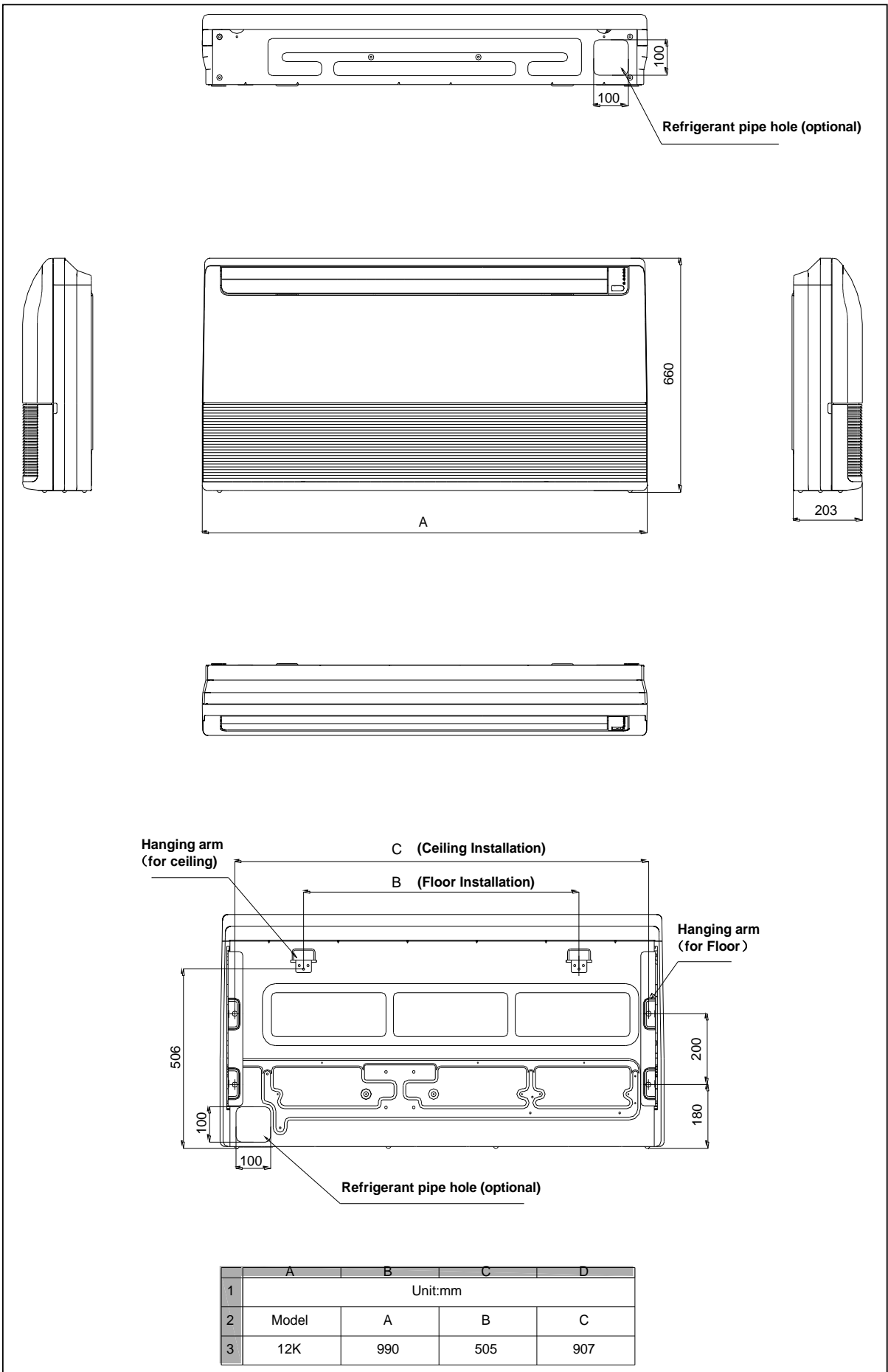
<b>Outdoor fan motor</b>		
RLA	A	0.22
LRA	A	----
Winding Resistance	Ω	----
Capacitor	uF	----
Speed	r/min	800
<b>Outdoor unit</b>		
Dimension(W*D*H)	inch	29.92x11.22x23.23
Packing (W*D*H)	inch	34.92x13.98x25.39
Net/Gross weight	lbs.	83.77/89.29

## SYSTEM DATA

Refrigerant type	oz	R410A/47.6
Additional Refrigerant/ft.	oz	0.16
Design pressure	PSIG	550/340
Refrigerant Pre-charged	ft	25

## Refrigerant piping

Liquid side/ Gas side	mm(inch)	Φ6.35/Φ12.7(1/4"/1/2")
Max. refrigerant pipe length	ft	82
Max. difference in level	ft.	33



Hanging arm  
(for ceiling)

C (Ceiling Installation)

B (Floor Installation)

Hanging arm  
(for Floor)

Refrigerant pipe hole (optional)

	A	B	C	D
1	Unit:mm			
2	Model	A	B	C
3	12K	990	505	907